

12Vdc 10A Power Series



MODELS :

TPS12-10DC
TPS12-10DC-B
TPS12-10DC-BD10
TPS12-10DC-BD20
TPS12-10DC-ME
TPS12-10DC-MED10
TPS12-10DC-MED20
TPS12-10DC-MED40

© 2009 The contents of this manual are copyright and may not be reproduced without the written permission of Tactical Power Products Pty Ltd.

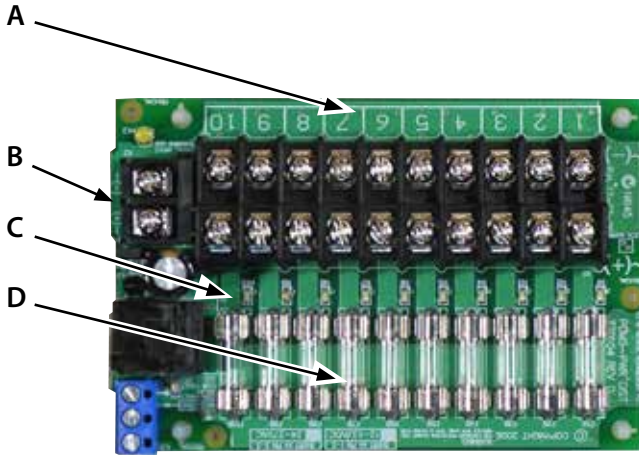
ENGINEERED FOR CCTV



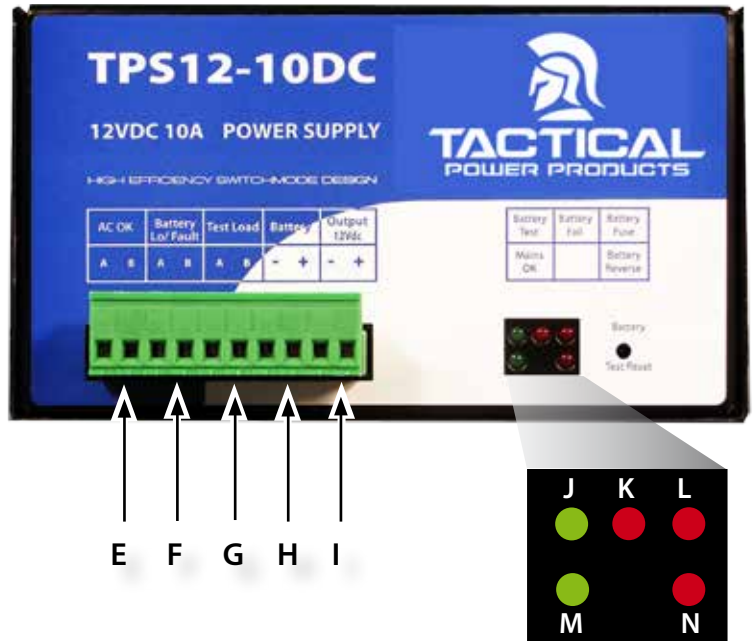
DESIGNED & MANUFACTURED

LAYOUT

Multi-Output Models
(e.g. TPS12-10DC-BD10)



TPS12-10DC Module Face



A	Output Terminals (Multi Output models only)	B	PDM Input (Multi Output models only) - " 1 " below
C	Individual Circuit Status LEDs (Multi Output Models)	D	Individual Circuit Fuses (Multi Output models only)
E	AC Mains OK Output (COM / NC)	F	Battery Low / Fault Output (COM / NC)
G	Not used in this model	H	- Battery + (Connect Sealed Lead Acid Battery)
I	- Output 12Vdc + (Connect to load or PDM)	J	Not used in this model
K	Battery Test Fail LED (Red ON = Fail)	L	Battery Fuse Fail LED (Red ON = Fail)
M	AC Mains OK LED (Green ON = OK)	N	Reverse Battery LED (Red ON = Fail)
O	240V IEC Mains Socket	P	Compliance / Date of Manufacture Label



DESIGNED & MANUFACTURED

