

XND-8020F

5M Network Dome Camera

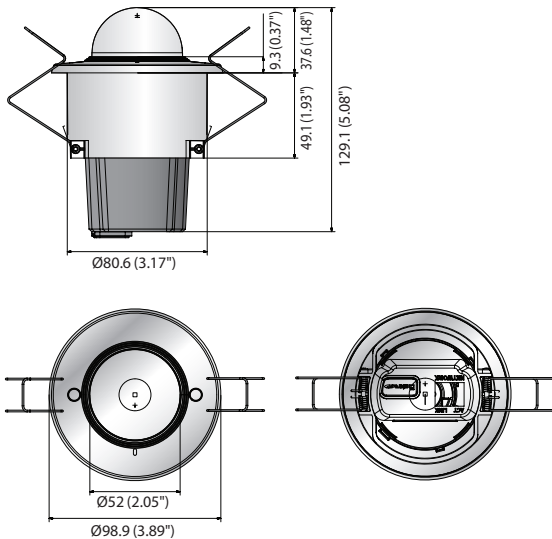


Key Features

- Built-in 3.7mm fixed lens
- Max. 30fps@all resolutions (H.265 / H.264)
- H.265, H.264, MJPEG codec supported, Multiple streaming
- WDR (120dB), Defog
- Loitering, Directional detection, Fog detection, Audio detection, Digital auto tracking, Sound classification, Heatmap, People counting, Queue management, Tampering
- Motion detection, Handover
- SD / SDHC / SDXC memory slot (Max. 256GB), PoE
- Hallway View, WiseStreamII Support
- LDC support (Lens distortion correction)

Dimensions

Unit : mm (inch)



XND-8020F	
VIDEO	
Imaging Device	1/1.8" 6M CMOS
Total Pixels	3,096(H) x 2,094(V)
Effective Pixels	2,616(H) x 1,976(V)
Scanning System	Progressive Scan
Min. Illumination	Color: 0.16 Lux (1/30sec, F1.6), B/W: 0.16 Lux (1/30sec, F1.6)
S / N Ratio	50dB
Video Out	USB: Micro USB Type B, 1280 x 720 for Installation
LENS	
Focal Length (Zoom Ratio)	3.7mm fixed
Max. Aperture Ratio	F1.6
Angular Field of View	H: 97.5° / V: 71.9° / D: 126.2°
Min. Object Distance	0.4m (1.31ft)
Focus Control	Manual
Lens / Mount Type	Fixed / Board-in Type
PAN / TILT / ROTATE	
Pan / Tilt / Rotate Range	0° ~ 355° / 0° ~ 47° / 0° ~ 353°
OPERATIONAL	
Camera Title	Off / On (Displayed up to 85 Characters) - W/W : English / Numeric / Special Characters - China : English / Numeric / Special / Chinese Characters - Common : Multi-line (Max 5), Color (Gray / Green / Red / Blue / Black / White), Transparency, Auto Scale by Resolution
Day & Night	Auto (Electrical) / Color / B/W / Schedule
Backlight Compensation	Off / BLC / HLC (Masking / Dimming) / WDR
Wide Dynamic Range	120dB
Contrast Enhancement	SSDR (Off / On)
Digital Noise Reduction	SSNRV (2D + 3D Noise filter) (Off / On)
Digital Image Stabilization	Off / On
Defog	Off / Auto (input from fog detection) / Manual
Motion Detection	Off / On (8ea, 8point polygonal zones), Handover Off / On (32ea, polygonal zones)
Privacy Masking	- Color: Gray / Green / Red / Blue / Black / White - Mosaic
Gain Control	Off / Low / Middle / High
White Balance	ATW / AWC / Manual / Indoor / Outdoor (Included Mercury & Sodium)
Contrast	Level Adjustment
LDC (Lens Distortion Correction)	Off / On (5 levels with min / max)
Electronic Shutter Speed	Minimum / Maximum / Anti flicker (2 ~ 1/12,000sec)
Digital PTZ	24X, Digital PTZ (Preset, Group)
Flip / Mirror	Off / On, Hallway: 90° / 270°
Video & Audio Analytics	Tampering, Loitering, Directional detection, Defocus detection, Fog detection, Virtual line, Enter / Exit, (Dis)Appear, Audio detection, Face detection, Motion detection, Digital auto tracking, Sound classification, People counting, Heatmap, Queue management
Alarm Triggers	Motion detection, Video & Audio analytics, Network disconnect
Alarm Events	File Upload Via FTP, E-mail, Notification Via E-mail, Local Storage (SD / SDHC / SDXC) or NAS recording at event triggers, External output, DPTZ preset
Pixel Counter	Support
NETWORK	
Ethernet	RJ-45 (10/100 BASE-T)
Video Compression Format	H.265 / H.264 (MPEG-4 Part 10 / AVC) : Main / Baseline / High, MJPEG
Resolution	2560 x 1920, 2560 x 1440, 1920 x 1080, 1600 x 1200, 1280 x 1024, 1280 x 960, 1280 x 720, 1024 x 768, 800 x 600, 800 x 448, 720 x 576, 720 x 480, 640 x 480, 640 x 360, 320 x 240
Max. Framerate	H.265 / H.264: Max. 30fps at all resolutions, MJPEG : Max. 30fps
Smart Codec	Manual mode (Area-based : 5ea)
WiseStreamII	Support
Video Quality Adjustment	H.265 / H.264 / MJPEG : Target bitrate level control
Bitrate Control Method	H.265 / H.264 : CBR or VBR, MJPEG : VBR
Streaming Capability	Multiple streaming (Up to 10 Profiles)
Audio In	Built-in MIC
Audio Compression Format	G.711 u-law / G.726 Selectable G.726 (ADPCM) 8KHz, G.711 8KHz G.726 : 16Kbps, 24Kbps, 32Kbps, 40Kbps, AAC-LC : 48Kbps at 8 / 16 / 32 / 48KHz
Audio Communication	Uni-directional
IP	IPv4, IPv6
Protocol	TCP/IP, UDP/IP, RTP (UDP), RTP (TCP), RTCP, RTSP, NTP, HTTP, HTTPS, SSL/TLS, DHCP, PPPoE, FTP, SMTP, ICMP, IGMP, SNMPv1/v2c/v3 (MIB-2), ARP, DNS, DDNS, QoS, PIM-SM, UPnP, Bonjour
Security	HTTPS (SSL) Login Authentication, Digest Login Authentication, IP address filtering, User access Log, 802.1X Authentication (EAP-TLS, EAP-LEAP)
Streaming Method	Unicast / Multicast
Max. User Access	20 users at unicast mode
Edge Storage	SD/SDHC/SDXC 1slot (up to 256GB) - Motion Images recorded in the SD/SDHC/SDXC memory card can be downloaded. NAS (Network Attached Storage), Local PC for instant recording
Application Programming Interface	ONVIF Profile S/G, SUNAPI (HTTP API), Open Platform
Webpage Language	English, Korean, Chinese, French, Italian, Spanish, German, Japanese, Russian, Swedish, Portuguese, Czech, Polish, Turkish, Dutch, Hungarian, Greek
Web Viewer	Supported OS : Windows 7, 8.1, 10, Mac OS X 10.10, 10.11, 10.12 Non-plugin Web Viewer Supported Browser : Google Chrome, MS Edge, Mozilla Firefox 49 (Window 64bit only), Apple Safari 10 (Mac OS X only) Plug-in Web Viewer Supported Browser : MS Explore 11, Apple Safari 9 (Mac OS X only)
Central Management Software	SmartViewer, SSM
ENVIRONMENTAL	
Operating Temperature / Humidity	-10°C ~ +55°C (+14°F ~ +131°F) / Less than 90% RH
Storage Temperature / Humidity	-30°C ~ +60°C (-22°F ~ +140°F) / Less than 90% RH
ELECTRICAL	
Input Voltage / Current	PoE (IEEE802.3af, Class3)
Power Consumption	Max. 4.7W
MECHANICAL	
Color / Material	Module : Black / Metal, Housing : Black / Plastic, Cover : Ivory / Plastic
Dimensions (WxH)	$\varnothing 98.9 \times 129.1$ mm ($\varnothing 3.89" \times 5.08"$) ※ Use a 83 ~ 86mm (3.25" ~ 3.4") diameter hole saw
Weight	275g (0.61 lb)

* The latest product information / specification can be found at hanwha-security.com
* Design and specifications are subject to change without notice.