

## DS-2CD6332FWD-I(V)(S) 3.0 MP Network Fisheye Camera



DS-2CD6332FWD-I(V)(S) is a fisheye network camera capable of providing a 360 degree panoramic image of its surveillance scene.

The progressive scan CMOS sensor provides high-resolution images of up to 2048 × 1536.

Up to 15 live view display modes, specifically designed for 3 mount types and 2 decoding modes, meet the major needs from customers of different preference.

IR range of 15 meters provides good visibility in low or even zero-light environment.

- 1/3" Progressive Scan CMOS
- Max. 2048 × 1536 @30fps
- Up to 15 live view display modes
- 120dB WDR
- Up to 15m IR range
- Built-in microphone and speaker
- 2 behavior analyses, 1 statistic
- With – V model: IK10 for camera housing, IP66



## Function Description

### Smart

- 2 behavior analyses, line crossing detection and intrusion detection
- 1 statistic, heat map
- Smart recording: Support edge recording and dual-VCA
- Smart encoding: Support low bit rate, low latency, ROI enhance encoding

### Image

- Max. 2048 × 1536 @30fps
- Support live view image decoded by hardware and software
- Support up to 15 display modes in total
- Streaming smoothness setting for different requirements of image quality and fluency
- Support H.264+/H.264/MJPEG video compression, multi-level video quality configuration; support Baseline Profile/Main Profile/High Profile H.264 encoding complexity
- Multiple OSD color: Black & white self-adaptive; Custom
- 120dB WDR is supportable for backlight environment
- Support BLC

### System

- Support ONVIF (profile S/profile G), ISAPI protocol
- Support dual streams, and Support 20 channels live view at the same time
- Lightning protection, surge protection, voltage transient protection, anti-static protection

### Interface

- Support standard 128G microSD/SDHC/SDXC card storage
- Support 10M/100M Ethernet port. Support RS-485 (with – S model)
- Support Audio I/O, support stereo audio (with – S model)
- Support Alarm I/O (with – S model)

### Security

- Support three-level user authentication management, user and password authorization, and IP address filtering
- Support security certificate as HTTPS; support creating certificate
- Basic and digest authentication is supportable in IE configuration
- Lock user IP after certain times failed login attempts

## Specifications

| <b>Camera</b>                  |   |
|--------------------------------|---|
| Image Sensor                   | 1/3" Progressive Scan CMOS  |
| Min. Illumination              | 0.1 Lux @ (F1.2, AGC ON), 0.28 Lux @ (F2.0, AGC ON), 0 Lux with IR  |
| Shutter Speed                  | 1/3 s – 1/100,000 s   |
| Slow Shutter                   | Support   |
| Lens                           | 1.19 mm, F2.0; horizontal field of view: 180° (wall mount), 360°(ceiling mount), 360°(table mount)  |
| Lens Mount                     | M12   |
| Day & Night                    | IR Cut Filter   |
| Digital Noise Reduction        | 3D DNR  |
| WDR                            | 120dB   |
| <b>Compression Standard</b>    |   |
| Video Compression              | Main stream: H.264<br>Sub stream: H.264/MJPEG   |
| H.264 Type                     | Baseline Profile/Main Profile/High Profile  |
| H.264+                         | Support only when the display mode is Fisheye View  |
| Video Bit Rate                 | 256 Kbps – 16 Mbps  |
| Audio Compression              | G.711/G.722.1/G.726/MP2L2/PCM   |
| Audio Bit Rate                 | 64Kbps(G.711)/16Kbps(G.722.1)/16Kbps(G.726)/32-160Kbps(MP2L2)   |
| <b>Image</b>                   |   |
| Max. Resolution                | 2048 × 1536   |
| Main Stream<br>Max. Frame Rate | 50Hz: 25fps (2048 × 1536, 1536 × 1536)<br>60Hz: 30fps (2048 × 1536, 1536 × 1536)  |
| Sub Stream<br>Max. Frame Rate  | 50Hz: 25fps (720 × 720, 704 × 576)<br>60Hz: 30fps (720 × 720, 704 × 480)  |
| Image Enhancement              | BLC/3D DNR  |
| Image Setting                  | Saturation, Brightness, Contrast, Sharpness adjustable by client software or web browser  |
| Region of Interest             | Support 3 fixed region for each stream  |
| Day/Night Switch               | Auto/Schedule/Triggered by Alarm In (with – S model)  |
| Picture Overlay                | LOGO picture can be overlaid on video with 128 × 128 24bit bmp format   |
| <b>Live View Display</b>       |   |
| Mount Type                     | Support table, wall, and ceiling  |
| Decoding Mode                  | Support hardware decoding and software decoding   |
| Display Mode                   | Support 15 display modes in total (including display modes of different mount types and decoding modes):<br>Fisheye View, 180 Panorama View, 4PTZ, Fisheye + 3PTZ, Fisheye + Panorama + 3PTZ, 360 Panorama View, 360 Panorama + PTZ, 360 Panorama + 3PTZ, 360 Panorama + 6PTZ, 360 Panorama + 8PTZ, 2PTZ, Fisheye + 8PTZ, Panorama View, Panorama + 3PTZ, Panorama + 8PTZ |
| <b>Audio (With –S model)</b>   |   |
| Environment Noise Filtering    | Support   |
| Audio I/O                      | Support   |
| Audio Sampling Rate            | Max. 48 kHz   |
| <b>Smart Feature-set</b>       |   |
| Intrusion Detection            | Enter and loiter in a pre-defined virtual region, up to 4 pre-defined virtual regions supported   |
| Line Crossing Detection        | Cross a pre-defined virtual line, up to 4 pre-defined virtual lines supported   |
| Heat Map                       | A graphical representation of density of visit in a configured area.  |

| <b>Network</b>          |  |
|-------------------------|--|
| Network Storage         | Support microSD/SDHC/SDXC card (128G), local storage and NAS (NFS,SMB/CIFS), ANR   |
| Alarm Trigger           | Motion detection, video tampering alarm, network disconnected, IP address conflicted, illegal login, HDD full, HDD error   |
| Protocols               | TCP/IP, UDP, ICMP, HTTP, HTTPS, FTP, DHCP, DNS, DDNS, RTP, RTSP, RTCP, PPPoE, NTP, UPnP, SMTP, SNMP, IGMP, 802.1X, QoS, IPv6, Bonjour                                |
| General Function        | One-key reset, anti-flicker, heartbeat, password protection, privacy mask, watermark, IP address filter  |
| Standard                | ONVIF (PROFILE S, PROFILE G), ISAPI  |
| <b>Interface</b>        |  |
| Communication Interface | 1 RJ45 10M/100M Ethernet port<br>With –S model: 1 RS-485 interface   |
| Audio Input             | 1 3.5mm audio interface, Mic in/Line in (with – S model);<br>1 built-in microphone by default, -42dB   |
| Audio Output            | 1 3.5mm audio output interface (with – S model);<br>1 built-in speaker by default, support echo cancellation   |
| Alarm (With –S model)   | 1 input, 1 output (up to DC24V 1A or AC110V 500mA)   |
| Video Output            | 1Vp-p composite output (75 Ω/BNC)  |
| On-board storage        | Built-in Micro SD/SDHC/SDXC slot, up to 128 GB   |
| Reset Button            | Yes  |
| <b>General</b>          |  |
| Operating Conditions    | Indoor temperature: -10 °C – 50 °C (14 °F – 122 °F)<br>With –V model: Outdoor temperature: -30 °C – 60 °C (-22 °F – 140 °F)<br>Humidity 95% or less (non-condensing) |
| Power Supply            | 12 V DC ± 10%, PoE (802.3af)   |
| Power Consumption       | 12 V DC ± 10%: Max. 9.3 W<br>PoE (802.3af): Max. 12.18 W   |
| Current                 | Max. 1 A   |
| IR Range                | 15 m   |
| Protection Level        | With – V model: IEC60068-2-75Eh, 20J; EN50102, up to IK10 for camera housing<br>With – V model: IP66   |
| Dimensions              | 164 × 152.8 × 45.5mm (6.46" × 6.02" × 1.79")<br>With –V model: 164 × 152.8 × 49.5 mm (6.46" × 6.02" × 1.95")   |
| Weight                  | 1400 g (3.09 lbs)  |

*Note: for detailed resolution of each display mode, consult the dealer or the technical support.*

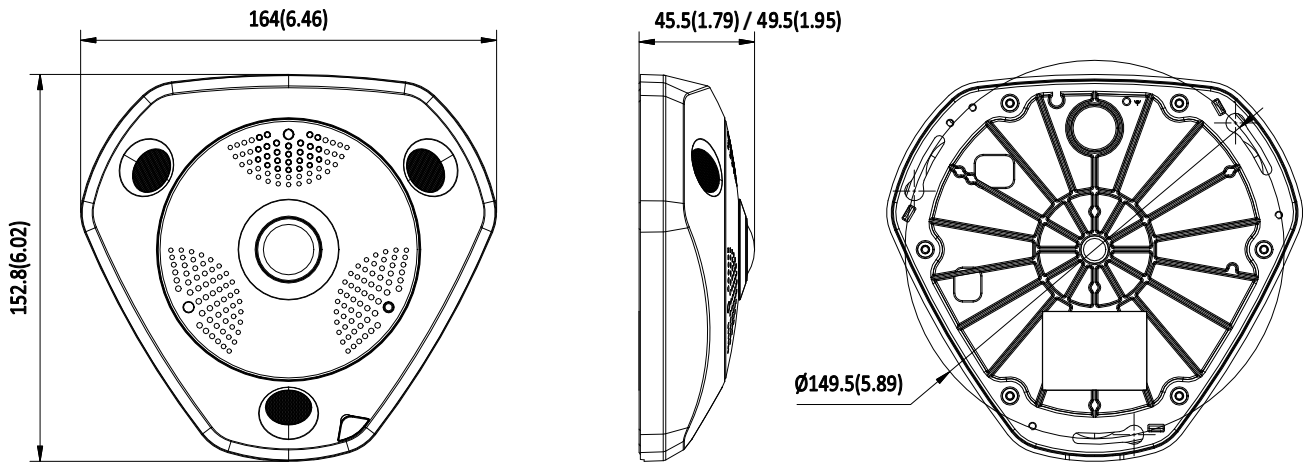
### **Order Models:**

DS-2CD6332FWD-I; DS-2CD6332FWD-IV; DS-2CD6332FWD-IS; DS-2CD6332FWD-IVS

\*-S: with 1 audio input (Mic in/line in), 1 audio output, 1 RS-485, 1 alarm input and 1 alarm output

\*-V: with protection level of IK 10 and IP66

**Dimensions**



Unit: mm(inch)

**Accessories**



DS-1280ZJ-DM25  
Junction Box



DS-1281ZJ-DM25  
Inclined Ceiling Mount



DS-1273ZJ-DM25  
Wall Mount



DS-1271ZJ-DM25  
Pendant Mount



DS-1283ZJ  
Wall Mount (3-axis Adjustment)

Distributed by



**HIKVISION**

**Headquarters**

No.555 Qianmo Road, Binjiang District,  
Hangzhou 310051, China  
T +86-571-8807-5998  
overseasbusiness@hikvision.com

**Hikvision USA**  
T +1-909-895-0400  
sales.usa@hikvision.com

**Hikvision Europe**  
T +31-23-55-42-770  
info.eu@hikvision.com

**Hikvision Middle East**  
T +971-4-8816086  
salesme@hikvision.com

**Hikvision Russia**  
T +7-495-669-67-99  
saleru@hikvision.com

**Hikvision India**  
T +91-22-28469900  
sales@pramahikvision.com

**Hikvision Italy**  
T +39-0438-6902  
info.it@hikvision.com

**Hikvision France**  
T +33(0)1-85-330-450  
info.fr@hikvision.com

**Hikvision Spain**  
T +34-91-737-16-55  
info.es@hikvision.com

**Hikvision Poland**  
T +48-22-460-01-50  
poland@hikvision.com

**Hikvision UK**  
T +01628-902140  
support.uk@hikvision.com

**Hikvision Singapore**  
T +65-6684-4718  
sg@hikvision.com

**Hikvision Oceania**  
T +61-2-8599-4233  
salesau@hikvision.com

**Hikvision Canada**  
T +1-909-895-0400  
sales.usa@hikvision.com

**Hikvision Korea**  
T +82-31-731-8841  
sales.korea@hikvision.com

**Hikvision Brazil**  
T +55 11 3318-0050  
Latam.support@hikvision.com

**Hikvision Africa**  
T +27 (0) 0351172  
sale.africa@hikvision.com

**Hikvision Hong Kong**  
T +852-2151-1761