

## DS-2CE79U7T-AIT3ZF 8 MP Ultra-Low Light Camera



### Key Feature

- 8.29 MP, 3840 × 2160 resolution
- Ultra-low light
- 130 dB true WDR, 3D DNR
- 2.7 mm to 13.5 mm varifocal lens, auto focus
- Smart IR, up to 60 m IR distance
- 4 in 1 video output (switchable TVI/AHD/CVI/CVBS)
- IP67



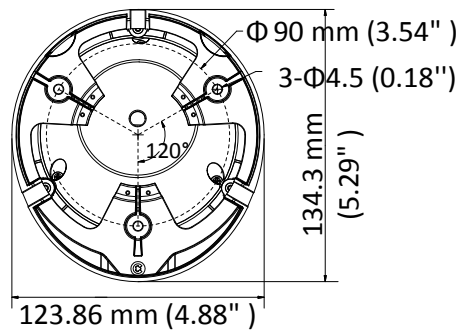
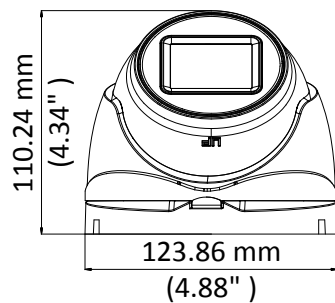
## Specification

| <b>Camera</b>            |   |
|--------------------------|---|
| Image Sensor             | 8.29 MP CMOS  |
| Signal System            | PAL/NTSC  |
| Frame Rate               | TVI: 8MP@12.5fps, 8MP@15fps, 5MP@20fps, 4MP@25fps, 4MP@30fps, 1080P@25fps, 1080P@30fps<br>AHD: 8MP@12.5fps, 8MP@15fps<br>CVI: 8MP@12.5fps, 8MP@15fps<br>CVBS: P/N |
| Resolution               | 3840 (H) × 2160 (V)   |
| Min. Illumination        | 0.003 Lux@(F1.2, AGC ON), 0 Lux with IR   |
| Shutter Time             | PAL: 1/12.5s to 1/50, 000 s<br>NTSC: 1/15 s to 1/50, 000 s  |
| Lens                     | 2.7 mm to 13.5 mm motorized varifocal lens  |
| Horizontal Field of View | 108.1° to 45.6°   |
| Lens Mount               | Φ 14  |
| Day & Night              | ICR   |
| WDR (Wide Dynamic Range) | ≥130 dB   |
| Angle Adjustment         | Pan: 0° to 360°; Tilt: 0° to 75°; Rotate: 0° to 360°  |
| <b>Menu</b>              |   |
| Image Mode               | STD/HIGH-SAT  |
| AGC                      | Yes   |
| Day/Night Mode           | Auto/Color/BW (Black and White)   |
| White Balance            | Auto/Manual   |
| AE (Auto Exposure) Mode  | Global/BLC/HLC/WDR  |
| Noise Reduction          | 3D DNR  |
| Language                 | English   |
| Function                 | Brightness, Sharpness, Mirror, Smart IR   |
| <b>Interface</b>         |   |
| Video Output             | Switchable TVI/AHD/CVI/CVBS   |
| <b>General</b>           |   |
| Operating Conditions     | -40 °C to 60 °C (-40 °F to 140 °F), humidity: 90% or less (non-condensing)  |
| Power Supply             | 12 VDC ± 20%, 24 VAC ± 20%  |
| Power Consumption        | Max. 11 W   |
| Protection Level         | IP67  |
| Material                 | Metal   |
| IR Range                 | Up to 60 m  |
| Communication            | HIKVISION-C   |
| Dimensions               | 134.3 mm × 123.86 mm × 110.24 mm (5.29" × 4.88" × 4.34")  |
| Weight                   | Approx. 620 g (1.37 lb.)  |

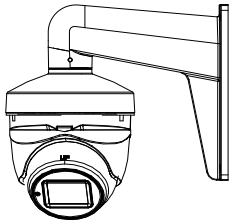
**Order Model**

DS-2CE79U7T-AIT3ZF

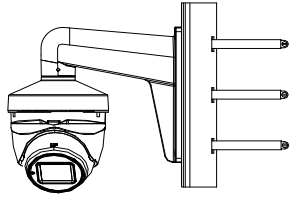
**Dimension**



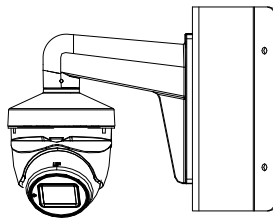
**Accessory**



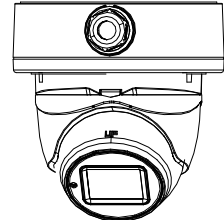
DS-1273ZJ-130-TRL  
Wall Mount



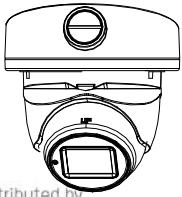
DS-1275ZJ-SUS  
Vertical Pole Mount



DS-1276ZJ-SUS  
Corner Mount



DS-1280ZJ-M  
Junction Box



Distributed by  
DS-1281ZJ-M  
Inclined Ceiling Mount

